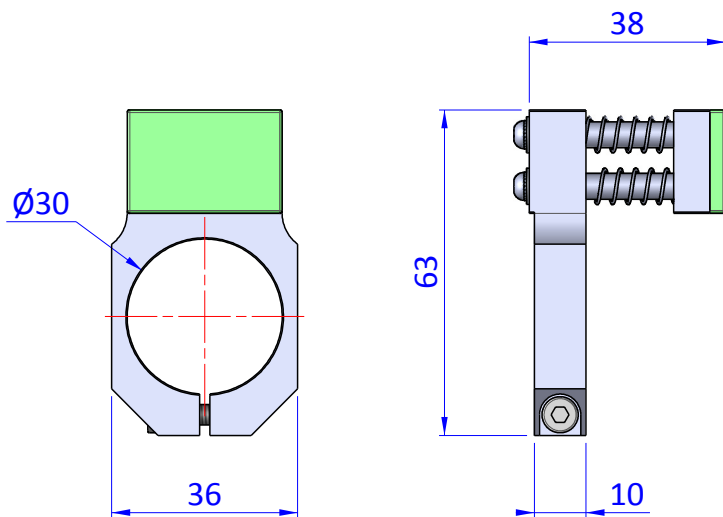
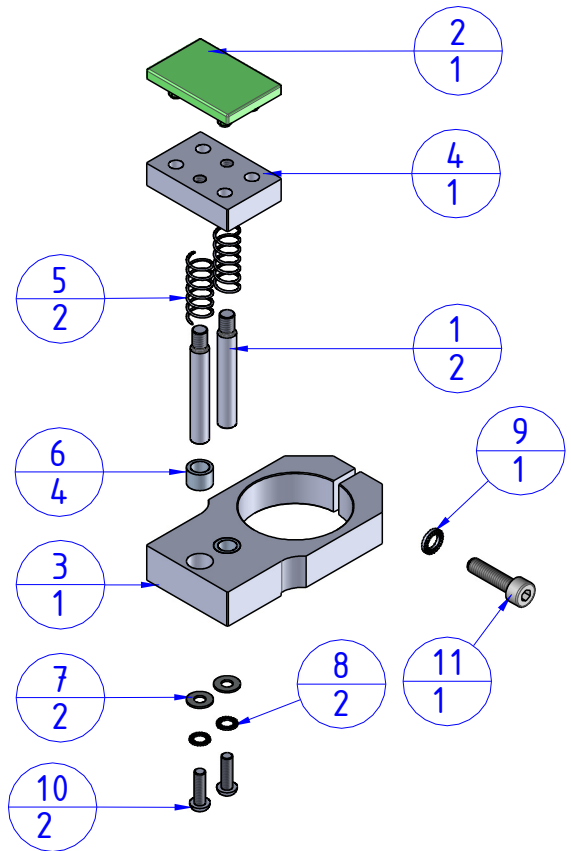

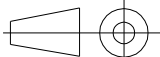


THE PROPERTY OF THE DRAWING IS ESTABLISHED BY LAW. IT IS FORBIDDEN TO PRODUCE OR SHOW IT TO THIRD PART. WITHOUT A WRITTEN AGREEMENT.

Item	Name	Q.ty
1	GRF20.95.12	2
2	GRF30.95.08.V	1
3	GRF30.95.11	1
4	GRF30.95.13	1
5	M.7X18	2
6	PAP.050705	4
7	R.3	2
8	R.3.SCH	2
9	R.4.SCH	1
10	V.TBCE.3X10.BUTT	2
11	V.TCE4x16	1



Format A4 UNI 936-76	 FPSERVICES AUTOMATION			DESIGNED FROM FPS Automation	REVIEW A	
	GENERAL TOLERANCE UNI - ISO 2768 CLASSE f	DESCRIPTION GRF30.VSX	DATE 09/05/2019	WEIGHT 0,054kg	CODE GRF30.VSX	